

Cleaning brewer



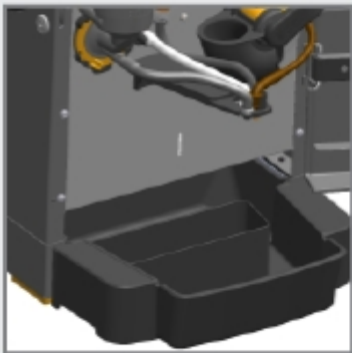
1. Open the door and insert the service key
2. Remove the waste bin
3. Turn the drip tray 90° and slide it underneath the machine as far as possible
4. Place a 1-litre bucket below the beverage outlet



This cleaning procedure cannot be aborted between times.



Cleaning brewer



Cleaning brewer



In the following step

**HOT WATER WILL COME OUT OF
THE OUTLET**

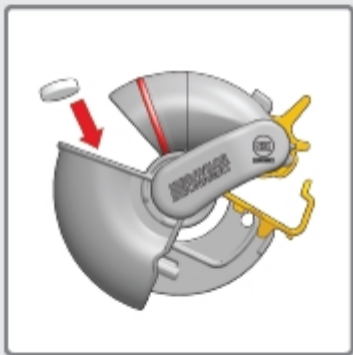


Cleaning brewer

5. Remove and empty the jug
6. Drop a cleaning tablet into the brewer chamber
7. Put the jug back in place



Cleaning brewer



Cleaning brewer



**HOT WATER WILL COME OUT OF THE
OUTLET**

Cleaning brewer

8. Remove and empty the jug
9. Put the waste bin and drip tray back in place
10. Remove the service key and close the door

