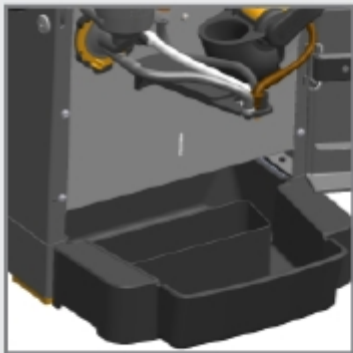


Rinsing coffee system



Rinsing coffee system



1. Open the door and insert the service key
2. Remove the waste bin
3. Turn the drip tray 90° and slide it underneath the machine as far as possible
4. Place a 1-litre bucket below the beverage outlet (in front of the drip tray)



The machine is heating



Rinsing coffee system



In the following step

**HOT WATER WILL COME OUT OF
THE OUTLET**



Rinsing coffee system

5. Remove and empty the jug
6. Put the waste bin and drip tray back in place
7. Remove the service key and close the door

