



Requirements for descaling:

- 10-litre bucket
- 500-ml jug
- 100 grams Renegite
- gloves



Descaling

The descaling programme is run by following the instructions on the screen and it takes between 40 and 50 minutes.



Do not leave the machine unattended while descaling.

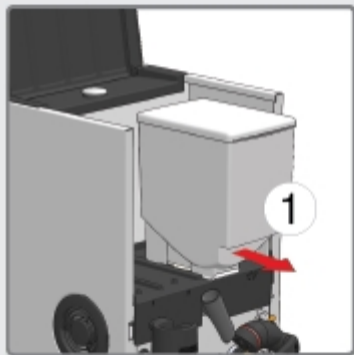
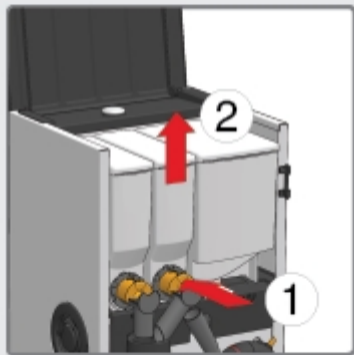


Descaling

1. Open the door and insert the service key
2. Slide the orange shut-off valves of the canisters to the closed position and open the cover
3. Remove the canisters from the machine
4. Remove the bean container
5. Slide away the drip tray and the waste bin



Descaling



Descaling



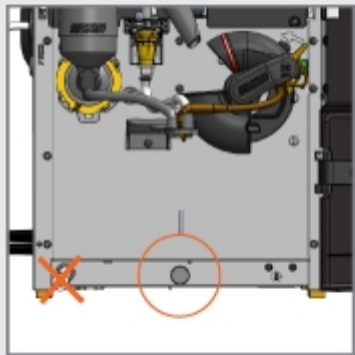
Wear gloves, the water can be hot.



- 6. Pull out the drain hose as far as it will go**
- 7. Place a 10-litre bucket below the drain hose**
- 8. Pull the plug from the hose and fully drain the machine (approx. 2.5 litres)**



Descaling



Descaling

- Put the plug back in the drain hose and empty the bucket
- Dissolve 100 grams of Renegite in half a litre of water that is at 60 °C



Completely dissolve the Renegite.



This programme cannot be aborted between times.



Descaling

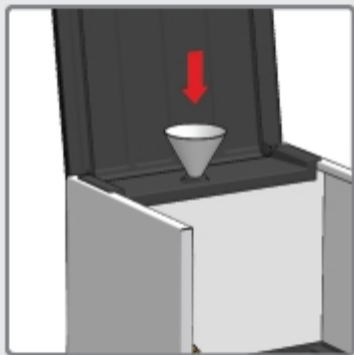
11. Remove the cap from the filling opening and put the funnel in place
12. Pour the Renegite solution through the funnel into the filling opening
13. Remove the funnel and put the plug back in place
14. Place the 10-litre bucket below the BEVERAGE OUTLET



Proceed with descaling



Descaling



Descaling



In the following step

**HOT WATER WILL COME OUT OF
THE OUTLET**



Descaling



Rinse water will come out of the beverage outlet.

Please wait.

Descaling



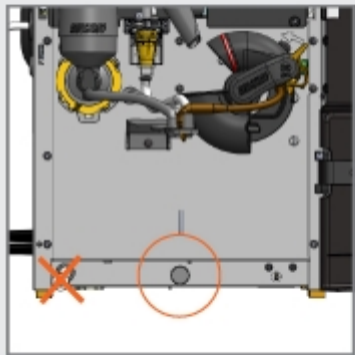
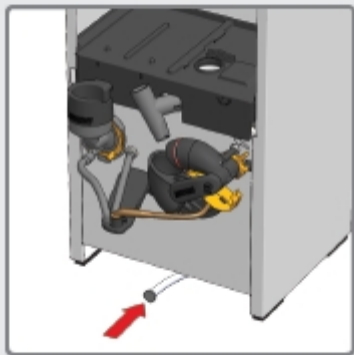
Wear gloves, the water can be hot.



15. Place the 10-litre bucket below the drain hose
16. Pull the plug from the hose and fully drain the machine (approx. 2.5 litres)



Descaling



Descaling

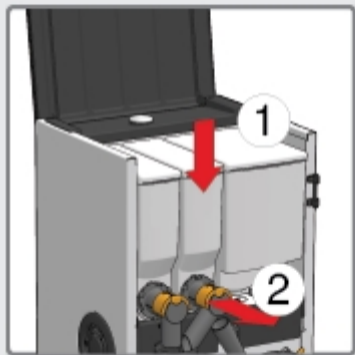
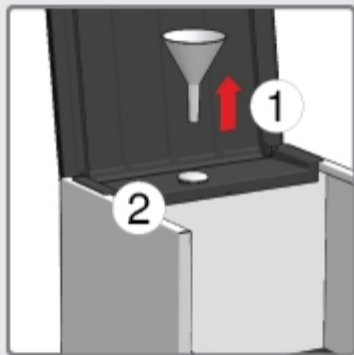
17. Put the plug back into the drain hose
18. Push the entire drain hose back into the machine
19. Put the bean container and canisters back in place
20. Close the lid and place the orange sliders of the canisters to the open position
21. Place a jug (500 ml) below the beverage outlets



Start the post-rinse



Descaling



Descaling



In the following step

**HOT WATER WILL COME OUT OF
THE OUTLET**

